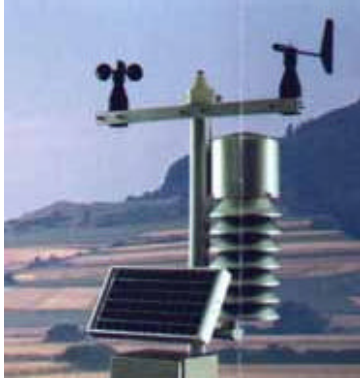




Wind



Price/performance giants

Wind transmitters and wind directions transmitters for applications in building technology.

They are the ideal data transmitters for simple control systems, especially where economical solutions are called for. The technology concentrates on the most important factors and the supporting and dynamic parts are made of synthetic materials, guaranteeing a long working life with absolutely no maintenance.

Important technical specifications

Wind transmitter - small version

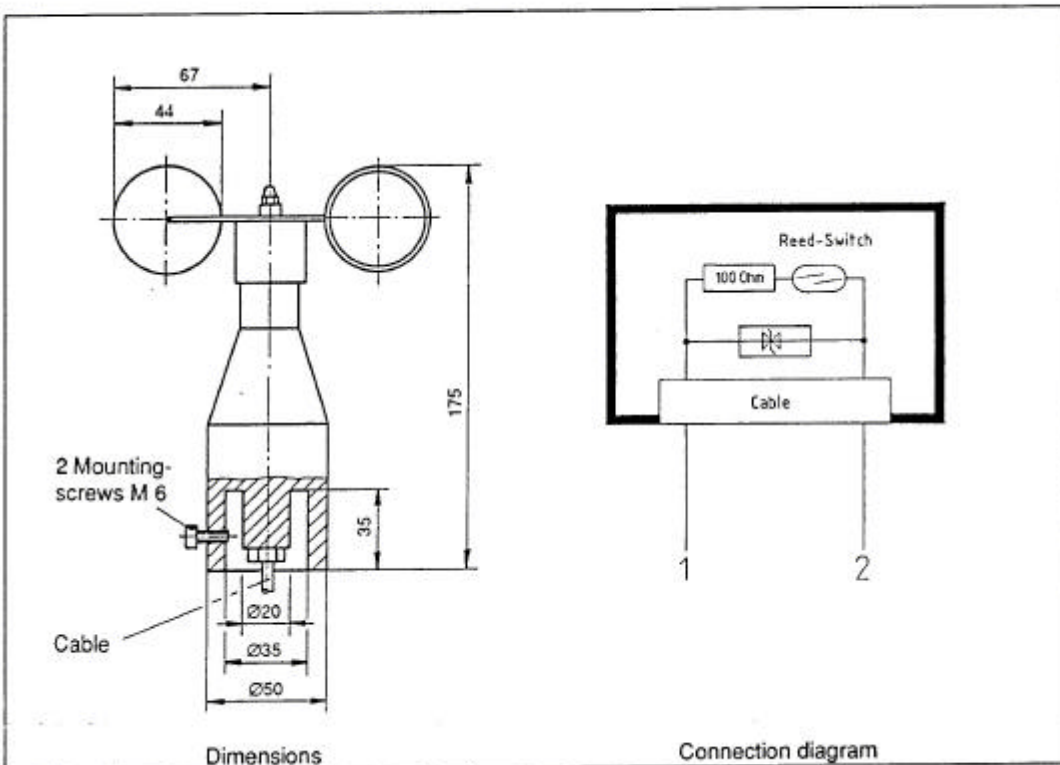
Order no.	4.3515.30.000
Measuring range	0,5...40 m/s
Resolution	0.8 m-Wind run
Electrical output	0...44 Hz
Operating voltage	no

Wind direction transmitter - small version

Order no.	4.3124.10.002
Measuring range	0...358°
Resolution	0,5°
Electrical output	0...400 Ohm
Operating voltage	no

Other models with further specifications on request

Instruction for Use 4.3515.30.000



Instruction for Use 4.3124.10.002

