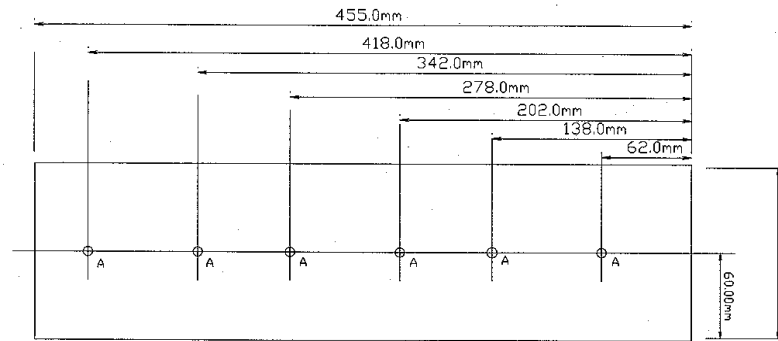


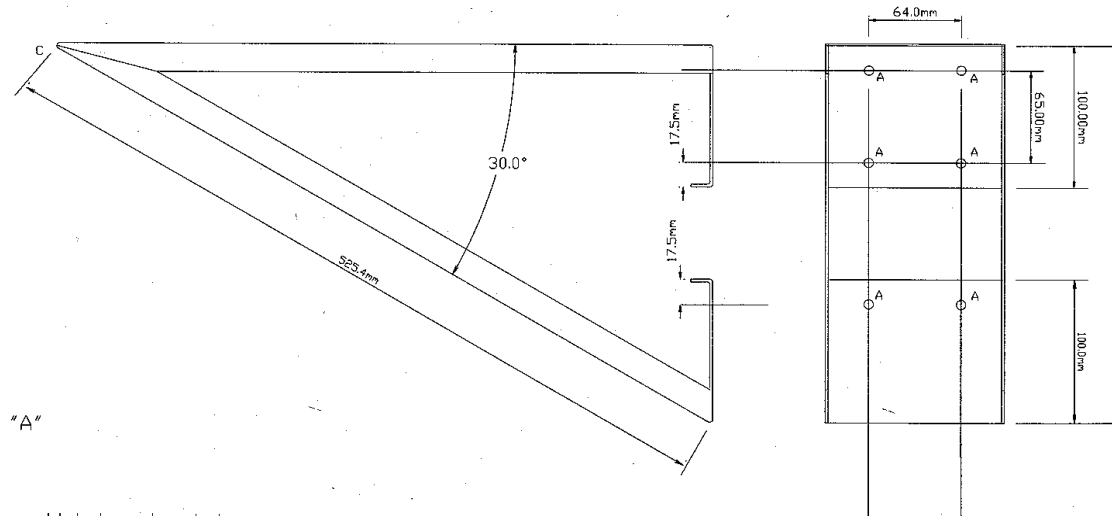
### SKM 229 BRACKET

09/11/99



Bracket made up of two sections welded together at corner C

SAME BRILLIANT WHITE EPOXY POWDER COAT FINISH AS FOR UNIVERSAL LONG ARM BRACKET



12 OFF HOLES AT "A"  
ALL 6.5mm DIA.

MATERIAL - 2mm thick aluminium